



## The performance features at a glance

- High-resolution 1/3"- camera with 700 TVL
- DNR (Digital Noise Reduction)
- Colourcamera or "real" day/night
- Privatzone masking
- Backlight compensation
- Digital WDR

## High versatility

Thanks to the compact dimensions, the ZC-YX/NX280 series cameras can be positioned unobtrusively where monitoring your safety is required. According to the individual requirements, the computer lens programme offers a completely suitable C/CS mount lens.

## Outstanding advantages

The high-quality IT-CCD chip with a size of 1/3" makes things clearer - thanks to the 700 TV lines. Furthermore, you can select between colour cameras with digital and with mechanical day/night switchover.

## High-performance technology

The cameras moreover include some digital functions providing for further optimisations as required. For example, not only can a DNR function be activated, but digital WDR is also available. In difficult light conditions, the image results are improved.

## Other special features

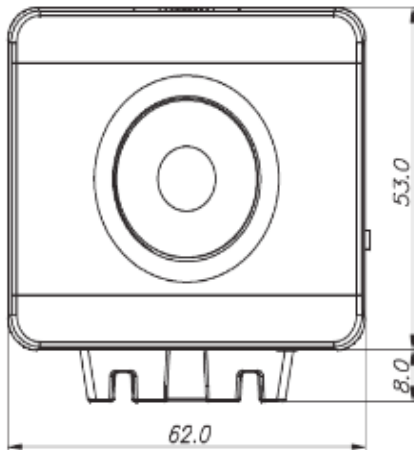
In order to protect privacy, up to four zones can be screened.

HLC (High Light Compensation) on the other hand off-sets possible disturbing sources of backlight (e.g. spotlights).

## Order data

Order number	Product description
ZC-YX280P	1/3" CCD, colourcamera, 700TVL, BLC, HLC, OSD, 12VDC/24VAC
ZC-YX280PE	1/3" CCD, colourcamera, 700TVL, BLC, HLC, OSD, 230VAC
ZC-NX280P	1/3" CCD, day/night-camera, 700TVL, BLC, HLC, OSD, 12VDC/24VAC
ZC-NX280PE	1/3" CCD, day/night-camera, 700TVL, BLC, HLC, OSD, 230VAC

# Camera series ZC-YX/NX280



## Advantages for the installer

The clear user menu (OSD) combines all settings in a clear manner. An adapted configuration can be performed quickly accordingly. The back focus can be adjusted easily, by the way.

Technical specifications	ZC-YX280P	ZC-YX280PE	ZC-NX280P	ZC-NX280PE
Video system	PAL			
Video output	1.0 Vs-s; 75 Ohm			
Imager	1/3" IT-CCD Sony ExView HAD II			
Horizontal resolution	>700 lines			
Effective Pixel	976 x 582			
Day/Night mode	Electronical		Mechanical	
Minimum illumination	0.4 lux F1.4		0.04 lux F1.4	
Iris control	DC-Iris			
Shutter speed (AES)	1/50-1/100.000s			
Synchronization	Internal Synchronisation, Line Lock			
Horizontal mirror function	Yes			
DNR	2D			
HLC	Yes			
WDR	Digital WDR			
Signal-to-noise ratio	>50 dB			
Gamma characteristic	0,45			
Whitebalance	ATW, PUSH, USER1, USER2, ANT CR, MANUAL, PUSH LOCK (Selectable)			
Motion detection	Yes			
Privatizationmasking	Yes (4)			
Operating temperature	- 10°C ~ 50°C			
Storage temperature	- 20°C ~ 60°C			
Operating voltage	24 VAC / 12 VDC	230 VAC	24VAC / 12VDC	230VAC
Current draw	140mA			
Weight	250g	500g	250g	500g
Dimensions (WxHxD)	62mm x 53mm x 96mm			