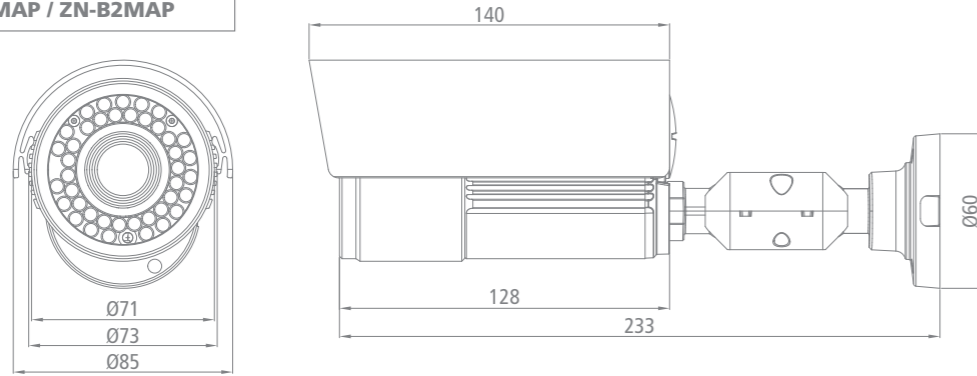
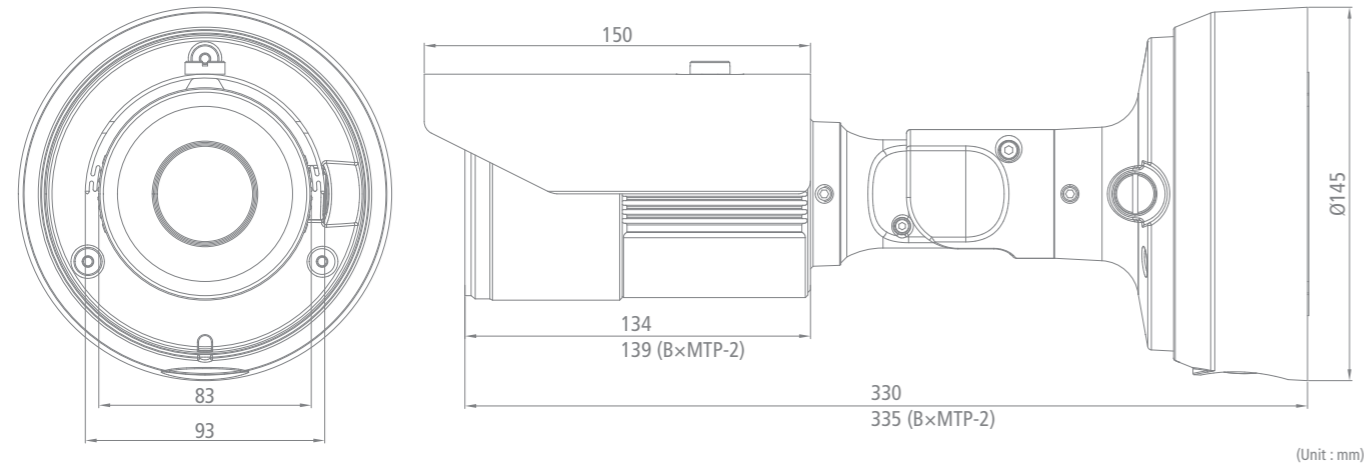


DIMENSIONS

ZN-B1A / ZN-B1MAP / ZN-B2MAP



ZN-B2MTP / ZN-B2MTP-2 / ZN-B1MTP



COMPATIBLE WITH:

Check our website or contact customer service for most updated information.



*Exact products and specifications shown may vary by geographic and subject to change without notice.
Actual products may differ from the images appearing in the specification sheet.



CBC Co.,Ltd.

TOKYO Head Office Image and Information Technology Division
Ganz Global Brand Center

<http://www.ganz-global.com/>

UPDATE: Nov. 2014



GANZ IP SPECIFICATIONS

PixelPro Network Camera
Bullet Series




GANZ
PixelPro


Features:

- 1080p HD Resolution
- 3-9mm, 3.3-12mm and 10-23mm Varifocal lens
- ProSet feature lets you zoom and focus directly from your PC
- Dual streaming video
- DPC (Defective Pixel Correction)
- External alarm I/O
- Setup and recording software included
- 42 IR LEDs
- IP66 rated for all weather performance
- Mounting bracket and sunshield included
- Built-in fan and heater (ZN-BxMTP models)

CBC Co.,Ltd.
Ganz Global Brand Center

SPECIFICATION

Model Name		ZN-B2MTP-2	ZN-B2MTP	ZN-B1MTP
				
Camera	Image Sensor	1/2.8" Sony Exmor CMOS Sensor		
	Model	1080p		720p
	Effective Pixels	1984(H) x 1225(V)		
	White Balance	ATW / MANUAL (Preset)		
	Digital Zoom	2 ~ 10x (Client software)		
	Shutter Speed	1/4, 1/10, 1/12.5, 1/15, 1/20, 1/25, 1/30, 1/50, 1/60, 1/100, 1/120, 1/240, 1/480, 1/960, 1/1024, 1/2000 sec		
	Day/Night Performance	True Day/Night		
	IR Illumination	42 IR LEDs		
	Min. Illumination	Color: 0.29 lux (F1.6, 50 IRE), B/W: 0 lux IR LED ON	Color: 0.16 lux (F1.2, 50 IRE), B/W: 0 lux IR LED ON	
	Other Functions	DPC (Defective Pixel Correction) AGC, BLC, Mirror / Flip		
Lens	Type/Focal Length	10-23mm Varifocal	3-9mm Varifocal	
	Max. Aperture	F1.6	F1.2	
	Iris	P-Iris		
	ProSet Remote Zoom/Focus	Yes		
	F.O.V.	30.5° ~ 13.2°	104.2° ~ 35.5°	
Analog	Video Signal	NTSC / PAL selectable		
	Monitor Output	Composite output (BNC), 75 ohm 1Vpp		
	Audio In/Out	Line in, Line out (external amplifier needed)		
Network	Network	10BASE-T, 100BASE-TX, RJ45		
	Image Compression	H.264, MJPEG		
	Resolution	1920 x 1080 (Full HD), 1280 x 1024 (SXGA), 1280 x 720 (720p), 640 x 480 (VGA), 640 x 360 (HVGA), 320 x 240 (QVGA), 704 x 480/576 (4CIF), 352 x 240/288 (CIF)		
	Protocol	IPv4, HTTP, SMTP, UPnP, DNS, RTP, TCP, UDP, RTCP, RTSP, DHCP, DDNS, ARP, IGMP, ICMP, NTP, FTP		
	Frame Rate	1 fps ~ 25 fps / 1 fps ~ 30 fps		
	Web Browser	Internet Explorer 7.0 or above, Firefox, Chrome, Smart phone (iOS, Android)		
	Security	Password Protection, IP Addressing Filtering		
	SDK (API)	HTTP based API - ONVIF		
	VMD (Video Motion Detection)	User set 4 ROI (Region of Interest), 10 Step Sensitivity		
	Alarm Trigger	VMD, External Alarm Input		
Alarm Event	E-mail notification (Snapshot), FTP transfer (Snapshot), Alarm out, microSD Card (Snapshot)			
Power	Power Consumption	12VDC	-	
		24VAC	1.0A / 10.3W (Heater off) , 1.63A / 18.4W (Heater on)	
		PoE	220mA / 10.6W (Heater off) Class 0	
Other Specification	microSD Card	microSDHC Card compatible - SanDisk, Transcend, Kingston, Toshiba: 1G, 2G, 4G, 8G, 16G, 32G		
	External I/O Terminals	Alarm In x1, Alarm Out x1, Audio In x1, Audio Out x1		
	Operating Temperature/RH	-10°C ~ 50°C (14°F ~ 122°F) / With Heater -40°C ~ 50°C (-40°F ~ 122°F) / RH less than 90% (non-condensing)		
	Weight	2.0kg		
	Dimensions	Ø145mm x 335mm (H) / Ø5.7" x 13.2"(H)	Ø145mm x 330mm (H) / Ø5.7" x 13.0"(H)	
	Weather Rating	IP66		
	Certifications	CE, FCC, UL, WEEE		
	Additional	Built in Fan and Heater (24VAC is required)		

Model Name		ZN-B2MAP*	ZN-B1MAP*	ZN-B1A*
				
Camera	Image Sensor	1/2.5" Progressive Scan CMOS		
	Model	1080p	720p	VGA
	Effective Pixels	2560(H) x 1440(V)	2952(H) x 1944(V)	2112(H) x 1728(V)
	White Balance	ATW / MANUAL (Preset)		
	Digital Zoom	2 ~ 10x (Client software)		
	Shutter Speed	1/4, 1/10, 1/12.5, 1/15, 1/20, 1/25, 1/30, 1/50, 1/60, 1/100, 1/120, 1/240, 1/480, 1/960, 1/1024, 1/2000 sec		
	Day/Night Performance	True Day/Night		
	IR Illumination	42 IR LEDs		
	Min. Illumination	Color: 0.81 lux (F1.4, 30 IRE), B/W: 0 lux (F1.4, Slow Shutter / IR ON, 30 IRE)	Color: 1.06 lux (F1.6, 30 IRE), B/W: 0 lux (F1.6, Slow Shutter / IR ON, 30 IRE)	
	Other Functions	DPC (Defective Pixel Correction), AGC, BLC, Mirror / Flip		
Lens	Type/Focal Length	3.3-12mm varifocal		
	Max. Aperture	F1.4		F1.6
	Iris	P-Iris		DC Auto Iris
	ProSet Remote Zoom/Focus	Yes		No
	F.O.V.	76.6° ~ 21.0° (112.6° ~ 28.0°, Wide mode)		86.1° ~ 23.1°
Analog	Video Signal	NTSC / PAL selectable (installation mode only)		
	Monitor Output	Composite output (BNC), 75 ohm 1Vpp		
	Audio In/Out	Line in, Line out (external amplifier needed)		
Network	Network	10BASE-T, 100BASE-TX, RJ45		
	Image Compression	H.264, MJPEG - (2nd stream only)		
	Resolution	1920 x 1080 (Full HD), 1440 x 1080 (HDV), 1280 x 1024 (SXGA), 1024 x 768 (XGA), 1280 x 720 (720p), 640 x 480 (VGA), 320 x 240 (QVGA), 704 x 480/576 (4CIF), 352 x 240/288 (CIF)	1280 x 720 (720p), 640 x 480 (VGA), 320 x 240 (QVGA), 704 x 480/576 (4CIF), 352 x 240/288 (CIF)	640 x 480 (VGA), 320 x 240 (QVGA), 704 x 480/576 (4CIF), 352 x 240/288 (CIF)
	Protocol	IPv4, HTTP, SMTP, UPnP, DNS, RTP, TCP, UDP, RTCP, RTSP, DHCP, DDNS, ARP, IGMP, ICMP, NTP, FTP		
	Frame Rate	2.1 fps ~ 25 fps / 2.5 fps ~ 30 fps		
	Web Browser	Internet Explorer 7.0 or above, Firefox, Chrome, Smart phone (iOS, Android)		
	Security	Password Protection, IP Addressing Filtering		
	SDK (API)	HTTP based API - ONVIF		
	VMD (Video Motion Detection)	User set 4 ROI (Region of Interest), 10 Step Sensitivity		
	Alarm Trigger	VMD, External Alarm Input		
Alarm Event	E-mail notification (Snapshot), FTP transfer (Snapshot), Alarm out, microSD Card (Snapshot)			
Power	Power Consumption	12VDC	982mA / 11.8W	914mA / 10.1W
		24VAC	782mA / 11.5W	739mA / 10.8W
		PoE	222mA / 10.6W, Class 0	212mA / 10.2W, Class 0
Other Specification	microSD Card	microSDHC Card compatible - SanDisk, Transcend, Kingston, Toshiba: 1G, 2G, 4G, 8G, 16G, 32G		
	External I/O Terminals	Alarm In x1, Alarm Out x1, Audio In x1, Audio Out x1		
	Operating Temperature/RH	-20°C ~ 50°C (-4°F ~ 122°F) / RH less than 90% (non-condensing)		
	Weight	740g		
	Dimensions	188.5mm (W) x 91.6mm (H) x 85.2mm (D) / 7.4" (W) x 3.6" (H) x 3.4" (D)		
	Weather Rating	IP66		
	Certifications	CE, FCC, UL, WEEE		
	Additional	-		

* This model is subject to being unsold.