



COMPUTAR | 40+ YEARS of PRECISION OPTICS

Designed with Exceptional Vision



12
MEGAPIXELS

Introducing the Computar **MPY Series**

Presenting a powerful line of 12 Megapixel C-mount lenses designed to fully leverage the high sensitivity and precise high-speed imaging of the 1.1" Sony IMX253 and IMX255 sensors.

MPY Series lenses provide Computar's superior, high-performance optics and they're available in full range of common focal lengths for virtually any application—supporting pixel sizes as low as 3.45µm.

For more than 40 years, Computar® has been setting the standard for exceptional optical quality, technical innovation, product support, custom OEM and industries such as ITS, Machine Vision, Life Sciences, Defense and Security. Take a look at Computar today—now more than ever, you'll like what you see.

MPY SERIES FEATURES:

- Machine Vision and Life Sciences Applications
- Fixed Focal Length
- Available in 8, 12, 16, 25, 35 and 50mm focal lengths
- Smallest 1.1" lens for >10MP Lens in the industry
- F2.8
- 3.45µm pixel size
- Image circle Ø17



computar

www.cbc.ru

MPY 1.1" 12 МП

Для IMX253, IMX255 (3.45мкм)

V0828-MPY2



There is no filter mount on the top of the lens.
For using filters, please attach either VM0811 or VM0810.

Focal Length	8mm				
Max. Aperture Ratio	1:2.8				
Max. Image Format	14.2mm x 10.4mm (φ 17.6mm)				
Operation Range	Iris	F2.8 - F16.0			
	Focus	0.2m - Inf.			
Control	Iris	Manual			
	Focus	Manual			
Object Dimension at M.O.D.	375.6(H)mm x 273.3(V)mm 1.1"				
Angle of View	D	93.9°	89.3°	69.0°	
	H	1.1" 83.0°	1" 77.3°	2/3"	57.3°
	V	66.0°	61.7°	44.2°	
Operating Temperature	-10°C ~ +50°C				
Distortion	1.1"	-0.6%(y=8.8)	1"	-1.7%(y=8.0)	2/3" -2.8%(y=5.5)
Filter Size	M67 / 72 P 0.75mm VM0810/0811				
Dimensions	φ 57.5mm x 53.2mm				
Weight	155g				

V1228-MPY2



Focal Length	12mm				
Max. Aperture Ratio	1:2.8				
Max. Image Format	14.2mm x 10.4mm (φ 17.6mm)				
Operation Range	Iris	F2.8 - F16.0			
	Focus	0.3m - Inf.			
Control	Iris	Manual			
	Focus	Manual			
Object Dimension at M.O.D.	351.6(H)mm x 257.0(V)mm 1.1"				
Angle of View	D	71.1°	66.4°	48.6°	
	H	1.1" 60.5°	1" 55.5°	2/3"	39.6°
	V	46.2°	42.9°	30.1°	
Operating Temperature	-10°C ~ +50°C				
Distortion	1.1"	-0.5%(y=8.8)	1"	-1.0%(y=8.0)	2/3" -1.4%(y=5.5)
Filter Size	M40.5 P=0.5mm				
Dimensions	φ 42.0mm x 36.1mm				
Weight	98g				

V1628-MPY2



Focal Length	16mm				
Max. Aperture Ratio	1:2.8				
Max. Image Format	14.2mm x 10.4mm (φ 17.6mm)				
Operation Range	Iris	F2.8 - F16.0			
	Focus	0.3m - Inf.			
Control	Iris	Manual			
	Focus	Manual			
Object Dimension at M.O.D.	264.6(H)mm x 193.8(V)mm 1.1"				
Angle of View	D	57.9°	53.4°	38.2°	
	H	1.1" 48.2°	1" 43.9°	2/3"	30.9°
	V	36.2°	33.6°	23.4°	
Operating Temperature	-10°C ~ +50°C				
Distortion	1.1"	-0.5%(y=8.8)	1"	-0.6%(y=8.0)	2/3" -0.6%(y=5.5)
Filter Size	M34.0 P=0.5mm				
Dimensions	φ 39.5mm x 35.2mm				
Weight	91g				

V2528-MPY



Focal Length	25mm				
Max. Aperture Ratio	1:2.8				
Max. Image Format	14.2mm x 10.4mm (φ 17.6mm)				
Operation Range	Iris	F2.8 - F16.0			
	Focus	0.3m - Inf.			
Control	Iris	Manual			
	Focus	Manual			
Object Dimension at M.O.D.	158.7(H)mm x 116.2(V)mm 1.1"				
Angle of View	D	38.7°	35.4°	24.8°	
	H	1.1" 31.7°	1" 28.7°	2/3"	20.0°
	V	23.5°	21.7°	15.0°	
Operating Temperature	-10°C ~ +50°C				
Distortion	1.1"	0.3%(y=8.8)	1"	0.2%(y=8.0)	2/3" 0.1%(y=5.5)
Filter Size	M34.0 P=0.5mm				
Dimensions	φ 39.5mm x 34mm				
Weight	78g				

V3528-MPY



Focal Length	35mm				
Max. Aperture Ratio	1:2.8				
Max. Image Format	14.2mm x 10.4mm (φ 17.6mm)				
Operation Range	Iris	F2.8 - F16.0			
	Focus	0.3m - Inf.			
Control	Iris	Manual			
	Focus	Manual			
Object Dimension at M.O.D.	109.3(H)mm x 80.1(V)mm 1.1"				
Angle of View	D	28.2°	25.8°	17.9°	
	H	1.1" 22.9°	1" 20.7°	2/3"	14.3°
	V	16.9°	15.9°	10.8°	
Operating Temperature	-10°C ~ +50°C				
Distortion	1.1"	-0.1%(y=8.8)	1"	0.0%(y=8.0)	2/3" 0.0%(y=5.5)
Filter Size	M34.0 P=0.5mm				
Dimensions	φ 39.5mm x 45.1mm				
Weight	103g				

V5028-MPY



Focal Length	50mm				
Max. Aperture Ratio	1:2.8				
Max. Image Format	14.2mm x 10.4mm (φ 17.6mm)				
Operation Range	Iris	F2.8 - F16.0			
	Focus	0.5m - Inf.			
Control	Iris	Manual			
	Focus	Manual			
Object Dimension at M.O.D.	115.9(H)mm x 84.8(V)mm 1.1"				
Angle of View	D	20.0°	18.2°	12.6°	
	H	1.1" 16.2°	1" 14.6°	2/3"	10.1°
	V	11.9°	11.0°	7.6°	
Operating Temperature	-10°C ~ +50°C				
Distortion	1.1"	0.1%(y=8.8)	1"	0.1%(y=8.0)	2/3" 0.1%(y=5.5)
Filter Size	M34.0 P=0.5mm				
Dimensions	φ 39.5mm x 45.1mm				
Weight	107g				

V0828-MPY2

f=8mm F2.8

for 1.1" type 12 Megapixel cameras, Fixed-focal

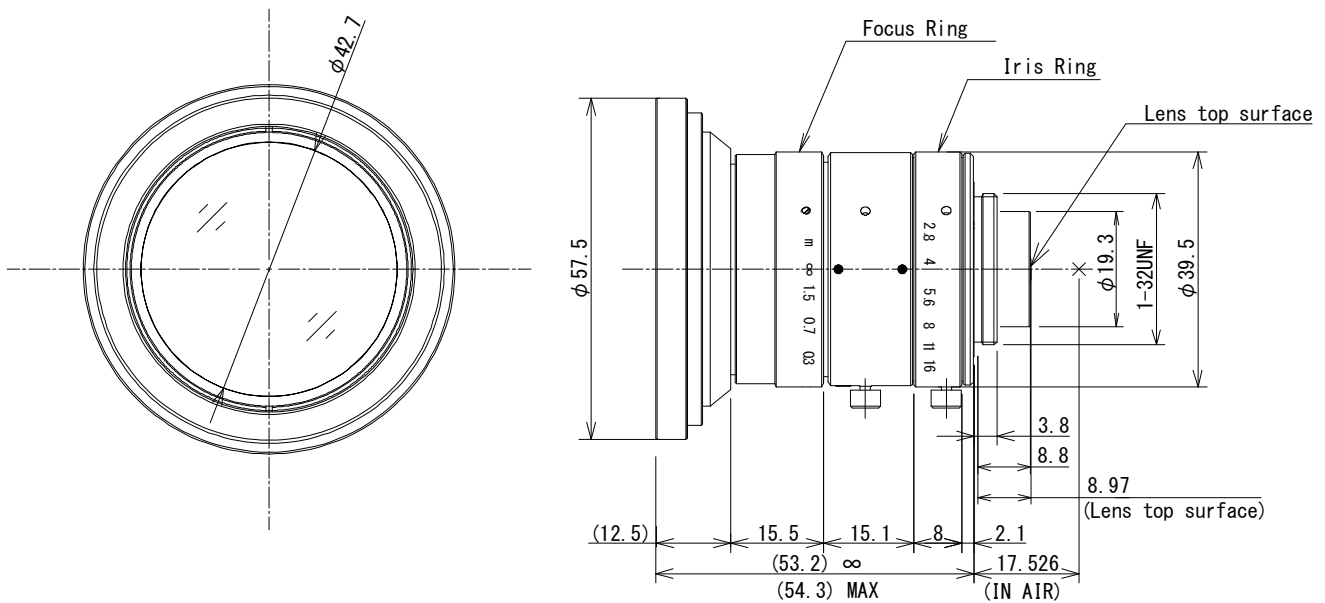
C-Mount

Model No.	V0828-MPY2		Effective	Front	φ 42.2mm					
Focal Length	8mm		Lens Aperture	Rear	φ 15.3mm					
Max. Aperture Ratio	1:2.8		Distortion	1.1 type	-0.6%					
Max. Image Format	14.2mm x 10.4mm(φ 17.6mm)			1 type	-1.7%					
Operation Range	Iris	F2.8 - F16.0		2/3 type	-2.8%					
	Focus	0.2m - Inf.	Back Focal Length		8.6mm					
Control	Iris	Manual	Flange Back Length		17.526mm					
	Focus	Manual	Mount		C-Mount					
Object Dimension at M.O.D.	1.1 Type	38cm x 27cm	Weight		164.8g					
	1 Type	34cm x 25cm	Dimensions		φ 57.5mm x 53.2mm					
	2/3 Type	23cm x 17cm			φ 75.0mm x 54.0mm (with VM0811)					
Filter Size(*)	-				φ 70.0mm x 54.0mm (with VM0810)					
Angle of View	D	1.1 Type	93.9°	1 Type	89.3°	2/3 Type	69.0°			
	H							83.0°	77.3°	57.3°
	V									
Operating Temperature	-10°C - +50°C									

M.O.D. : Minimum Object Distance

(*)For using filters, please attach either VM0811 or VM0810.

Dimensions



V1228-MPY2

f=12mm F2.8

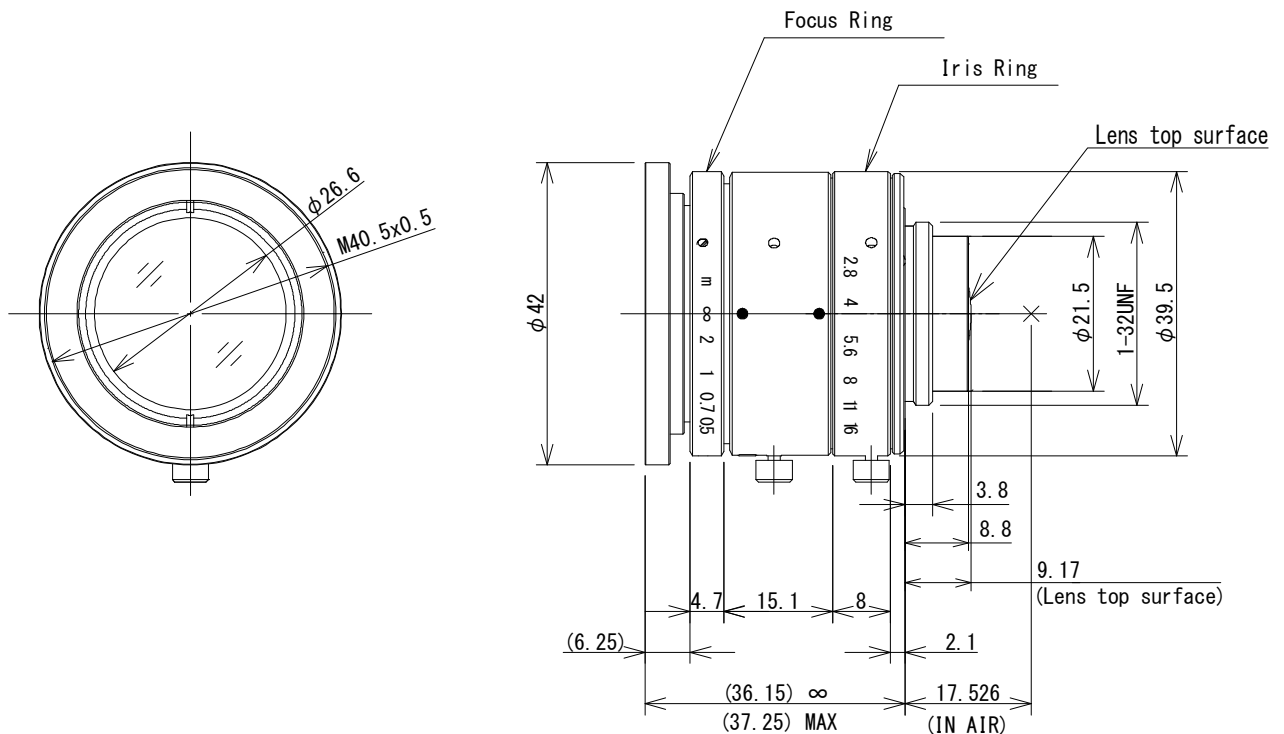
for 1.1" type 12 Megapixel cameras, Fixed-focal

C-Mount

Model No.	V1228-MPY2		Effective	Front	φ 26.2mm		
Focal Length	12mm		Lens Aperture	Rear	φ 16.7mm		
Max. Aperture Ratio	1:2.8		Distortion	1.1 type	-0.5%		
Max. Image Format	14.2mm x 10.4mm (φ 17.6mm)			1 type	-1.0%		
Operation Range	Iris	F2.8 - F16.0		2/3 type	-1.4%		
	Focus	0.3m - Inf.	Back Focal Length		8.4mm		
Control	Iris	Manual	Flange Back Length		17.526mm		
	Focus	Manual	Mount		C-Mount		
Object Dimension at M.O.D.	1.1 Type	35cm x 26cm	Filter Size		M40.5 P=0.5mm		
	1 Type	32cm x 24cm	Dimensions		φ 42.0mm x 36.1mm		
	2/3 Type	22cm x 16cm	Weight		102.8g		
Angle of View	D	1.1 Type	71.1°	1 Type	66.4°	2/3 Type	48.6°
	H		60.5°		55.5°		39.6°
	V		46.2°		42.9°		30.1°
Operating Temperature	-10°C - +50°C						

M.O.D. : Minimum Object Distance

Dimensions



V1628-MPY2

f=16mm F2.8

for 1.1" type 12 Megapixel cameras, Fixed-focal

C-Mount

Model No.	V1628-MPY2		Effective	Front	ϕ 19.4mm		
Focal Length	16mm		Lens Aperture	Rear	ϕ 15.3mm		
Max. Aperture Ratio	1:2.8		Distortion	1.1 type	-0.5%		
Max. Image Format	14.2mm x 10.4mm (ϕ 17.6mm)			1 type	-0.6%		
Operation Range	Iris	F2.8 - F16.0		2/3 type	-0.6%		
	Focus	0.3m - Inf.	Back Focal Length		9.4mm		
Control	Iris	Manual	Flange Back Length		17.526mm		
	Focus	Manual	Mount		C-Mount		
Object Dimension at M.O.D.	1.1 Type	26cm x 19cm	Filter Size		M34.0 P=0.5mm		
	1 Type	24cm x 18cm	Dimensions		ϕ 39.5mm x 35.2mm		
	2/3 Type	16cm x 12cm	Weight		94.4g		
Angle of View	D	1.1 Type	57.9°	1 Type	53.4°	2/3 Type	38.2°
	H		48.2°		43.9°		30.9°
	V		36.2°		33.6°		23.4°
Operating Temperature	-10°C - +50°C						

M.O.D. : Minimum Object Distance

Dimensions

